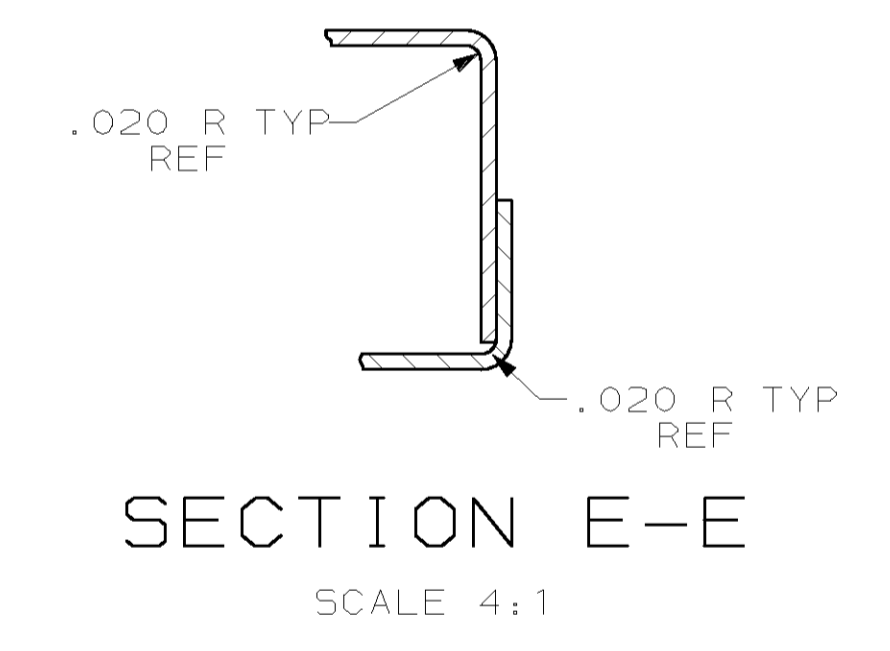
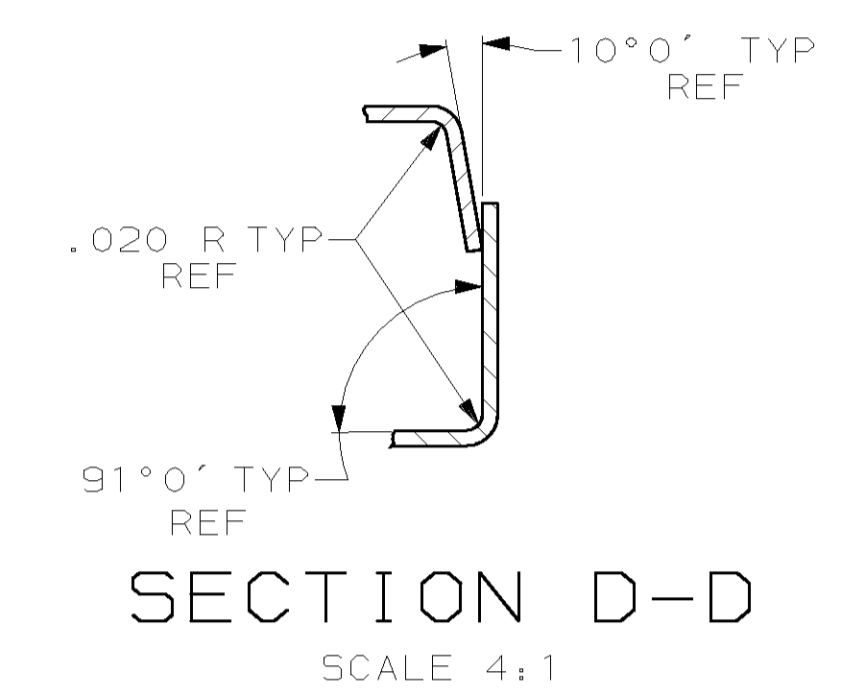
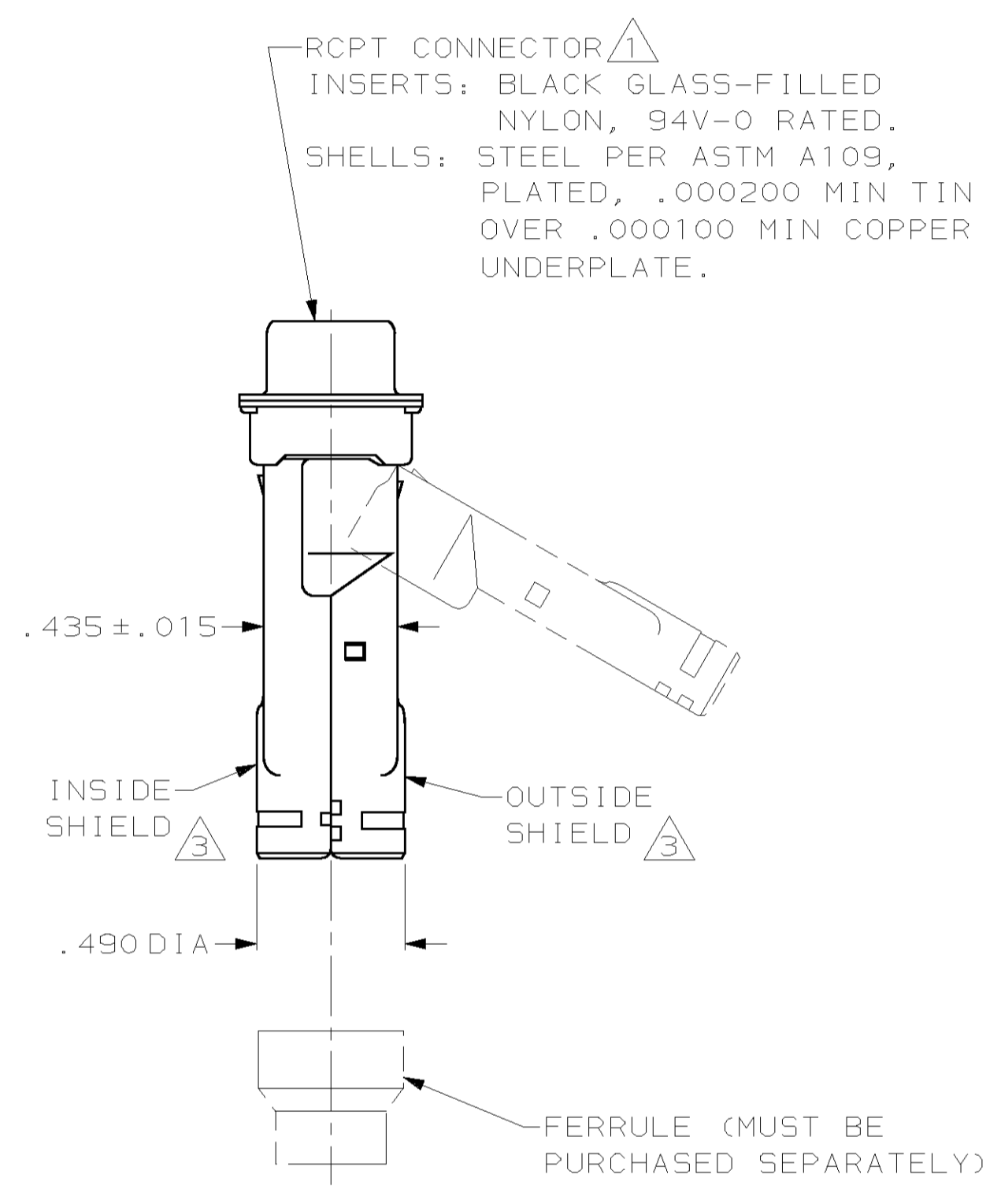
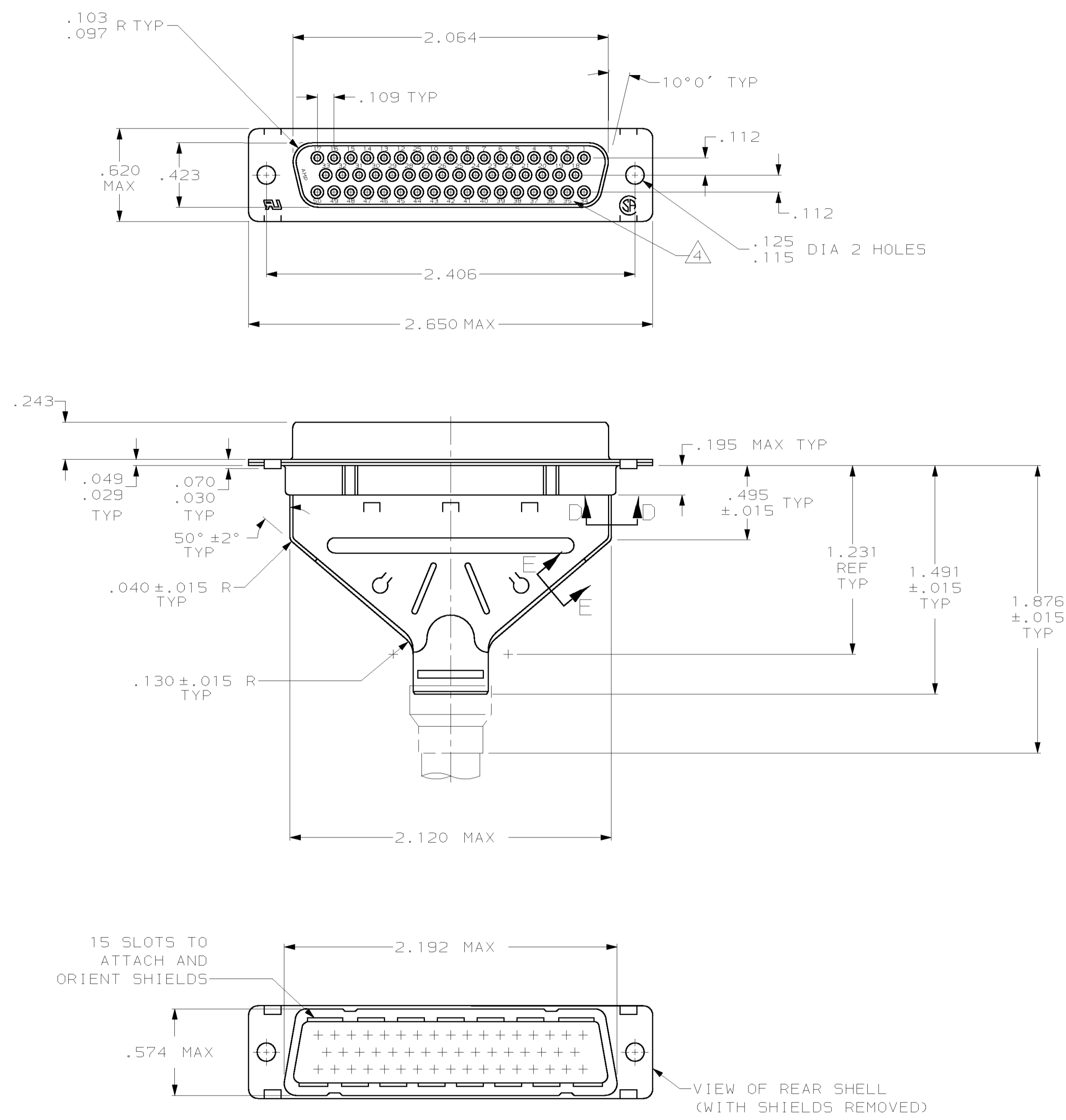


LOC	DIST	REV	DESCRIPTION	DATE	DWN	APPV
GP	00	0	RELEASED PER EC 0513-0196-03	31JUL03	JR	JG



- 1 RCPT ACCEPTS SIZE 20 SOCKET CONTACTS (CONTACTS MUST BE ORDERED SEPARATELY).
- 2. ALL PARTS SHIPPED UNASSEMBLED, EACH PART INDIVIDUALLY BULK PACKED.
- 3 SHIELDS: MATERIAL-.020 THICK STEEL, PER ASTM A109, PLATED .000200 MIN TIN OVER .000100 MIN COPPER UNDERPLATE.
- 4 RAISED CAVITY IDENTIFICATION AND AMP TRADEMARK.

1658653-1  
 PART NUMBER

THIS DRAWING IS A CONTROLLED DOCUMENT.		DWN J. REITZEL 31JUL03	AMP Incorporated Harrisburg, PA 17105-3608	
DIMENSIONS: INCH		CHK S. BOJASH 31JUL03	AMP M. WALMSLEY 31JUL03	
TOLERANCES UNLESS OTHERWISE SPECIFIED:		NAME KIT, RCPT, SHIELDING HARDWARE, SIZE 5, 50 POSN, AMPLIMITE™ HDP-20		
0 PLC ±-		PRODUCT SPEC 108-40030		
1 PLC ±-		APPLICATION SPEC 114-40030		
2 PLC ±.005		SIZE A1		
3 PLC ±.005		CAGE CODE 00779		
4 PLC ±.005		DRAWING NO 1658653		
ANGLES 40° 30'		RESTRICTED TO -		
MATERIAL SEE CALL OUT 3	FINISH SEE CALL OUT 3	WEIGHT -		
CUSTOMER DRAWING		SCALE 2:1 SHEET 1 OF 1 REV 0		